

The IsoMed 2000 obitelj



Back Module

Legpress
athletic

X-Series

PUMP
ROTATION

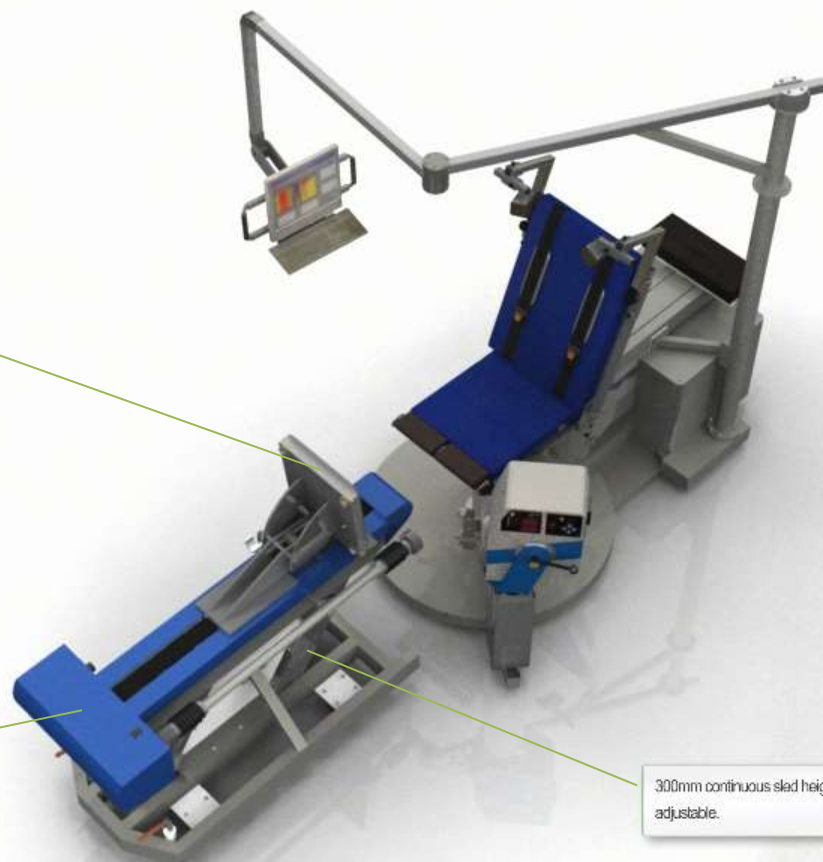


Legpress
athletic



Technical data

| | Gear 1 | Gear 2 |
|---|-----------------------|-----------------------|
| Speed, maximum | 0,8 m/s | 1,2 m/s |
| Force with 750/560 Dynamometer (IsoMed E750-560) | 8850 N | 5850 N |
| Force with 700/560 Dynamometer (IsoMed E700-560) | 8250 N | 5500 N |
| Acceleration, max. adjustable in 0,02 m/s ² steps* | 7,5 m/s ² | 7,5 m/s ² |
| Deceleration in 0,02 m/s ² steps | 10,0 m/s ² | 10,0 m/s ² |
| Displacement of sled, maximum | 0-51 cm | 0-76 cm |
| Weight of Legpress athletic | 485 KG | |



Active force plate

No measurement delays due to active measurement via force plate.



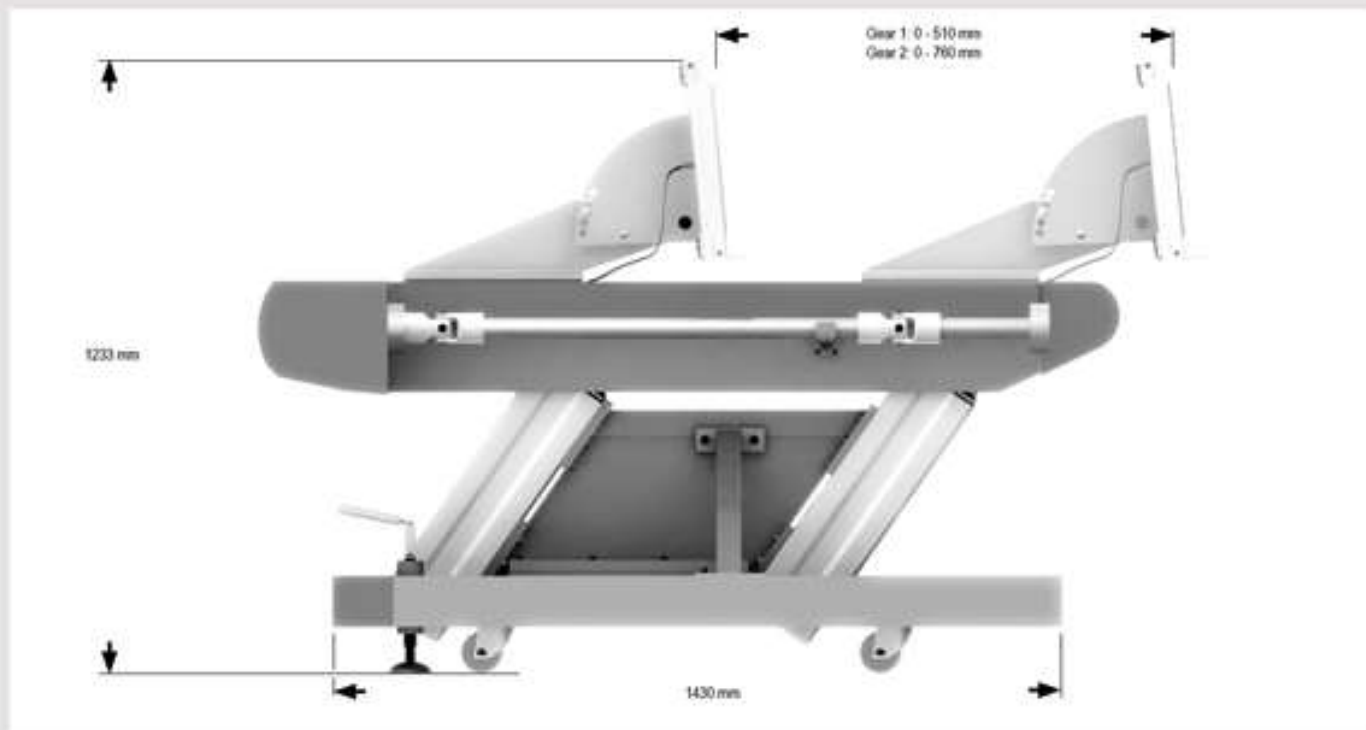
Two gears

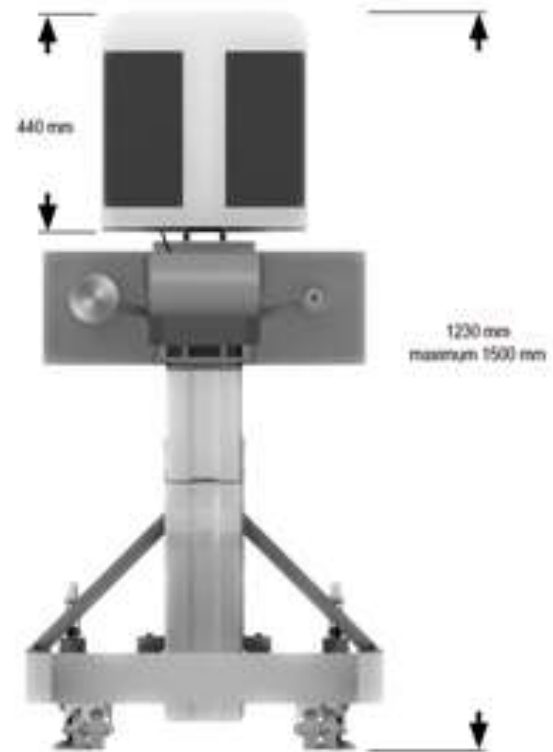
for athletic powers (up to 8860N) or explosive motions (1.2 m/s).

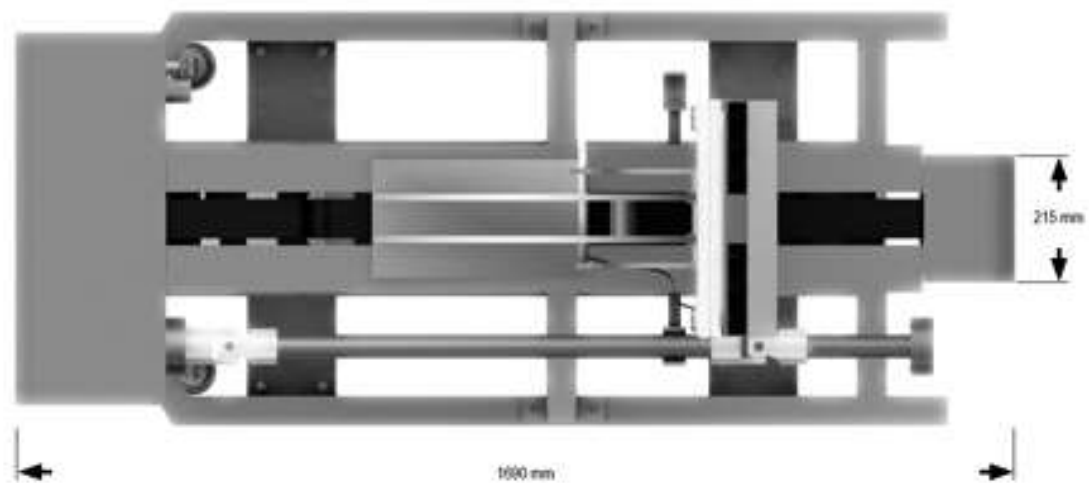


300mm continuous sled height, electronically adjustable.

Dimensions







All measurements include the EASY MOVE wheels. Please be aware that the IsoMed 2000 may need additional space and you may need additional space to maneuver the Legpress athletic.

Legpress
athletic



Legpress
athletic



In lying position



In sitting position



Prilagođeni legpress modul pored modula Flexion / Extension trup i rotacije trupa u cijelini.



Legpressu u klinici za rehabilitaciju u Dubaiju s nacionalnim nogometašem



Trening nogometaša na legpress modulu u berlinskom centru za olimpijski trening.



Nacionalna alpska skijašica na Legpress modulu u klinici za rehabilitaciju.



Legpress modul u Olimpijskom centru u Berlinu
sa atletičarom (preponaš)

