

The IsoMed 2000 Family



Back Module

Legpress
athletic

X-Series

PUMP
ROTATION

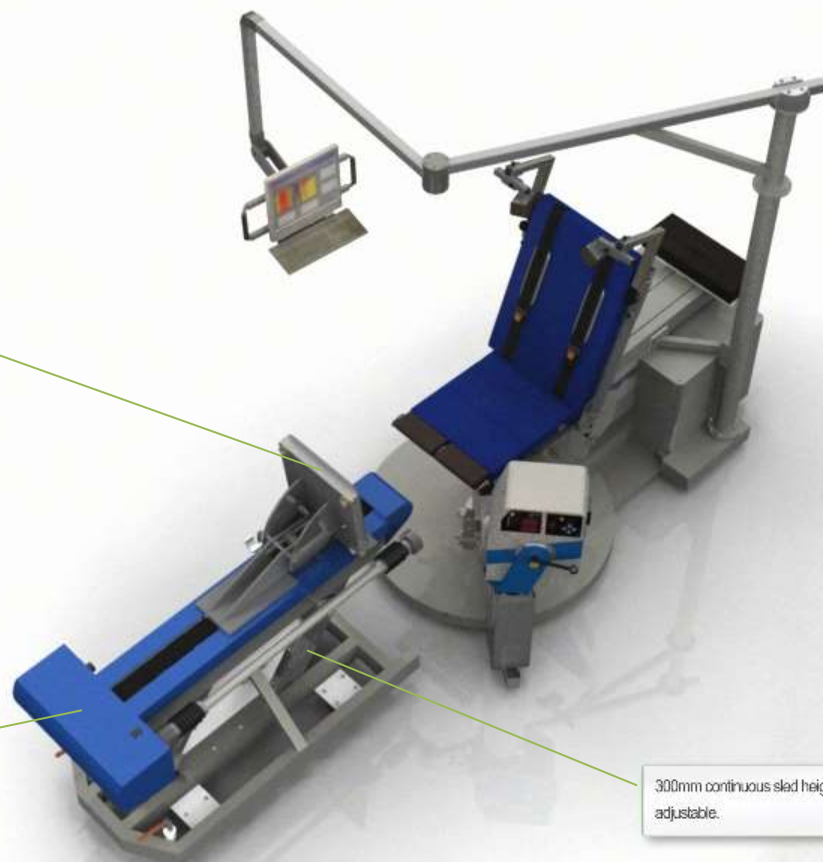


Legpress
athletic



Technical data

	Gear 1	Gear 2
Speed, maximum	0,8 m/s	1,2 m/s
Force with 750/560 Dynamometer (IsoMed E750-560)	8850 N	5850 N
Force with 700/560 Dynamometer (IsoMed E700-560)	8250 N	5500 N
Acceleration, max. adjustable in 0,02 m/s ² steps*	7,5 m/s ²	7,5 m/s ²
Deceleration in 0,02 m/s ² steps	10,0 m/s ²	10,0 m/s ²
Displacement of sled, maximum	0-51 cm	0-76 cm
Weight of Legpress athletic	485 KG	



Active force plate

No measurement delays due to active measurement via force plate.



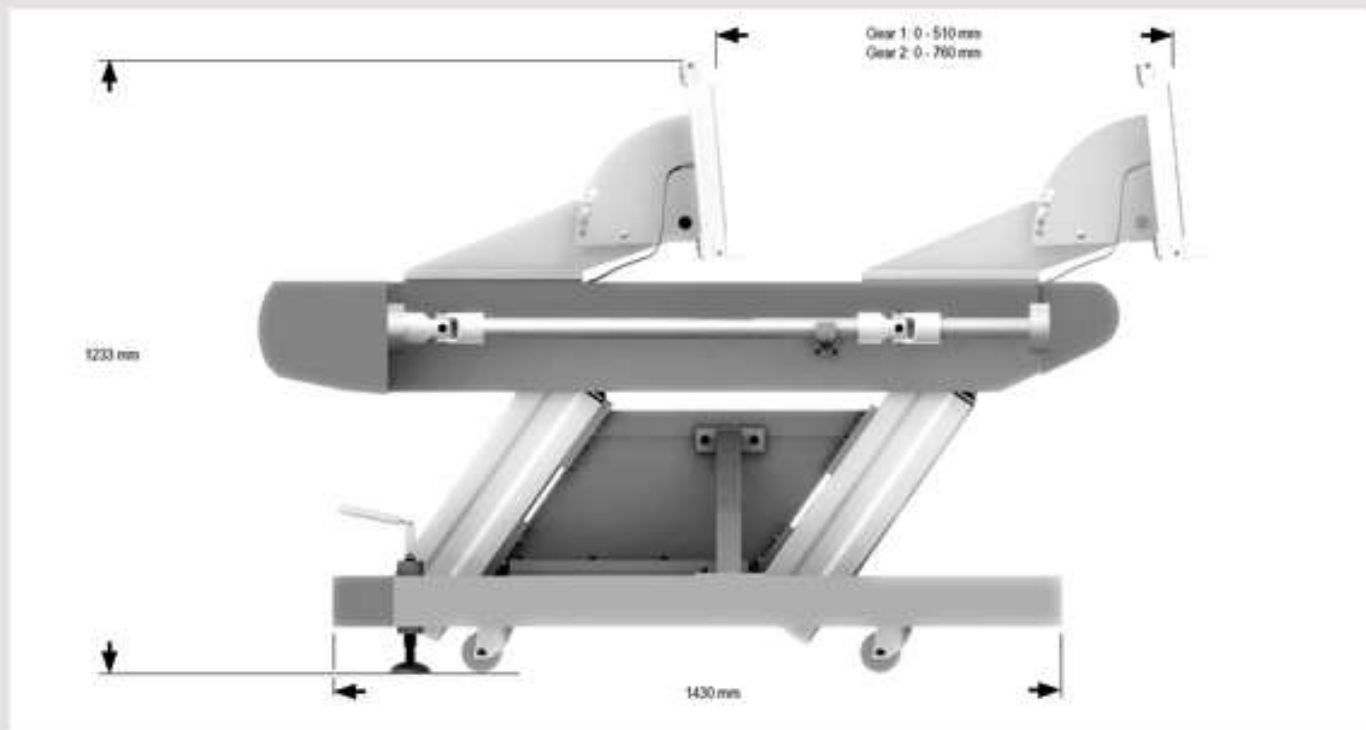
Two gears

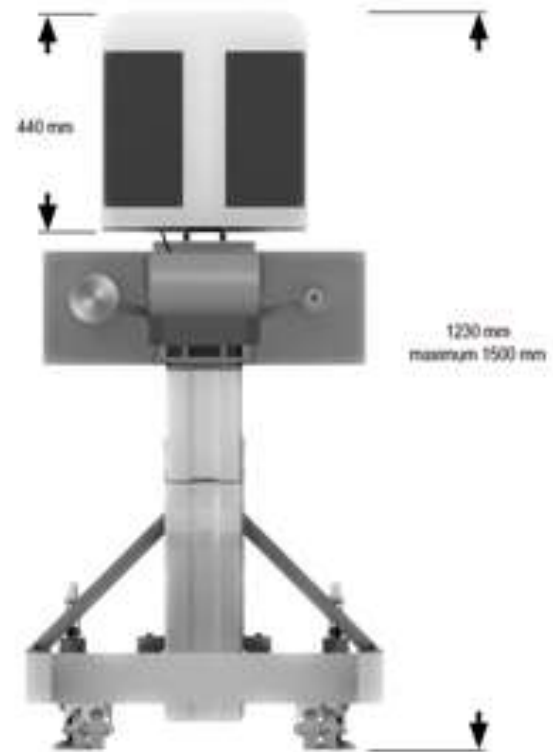
for athletic powers (up to 8860N) or explosive motions (1.2 m/s).

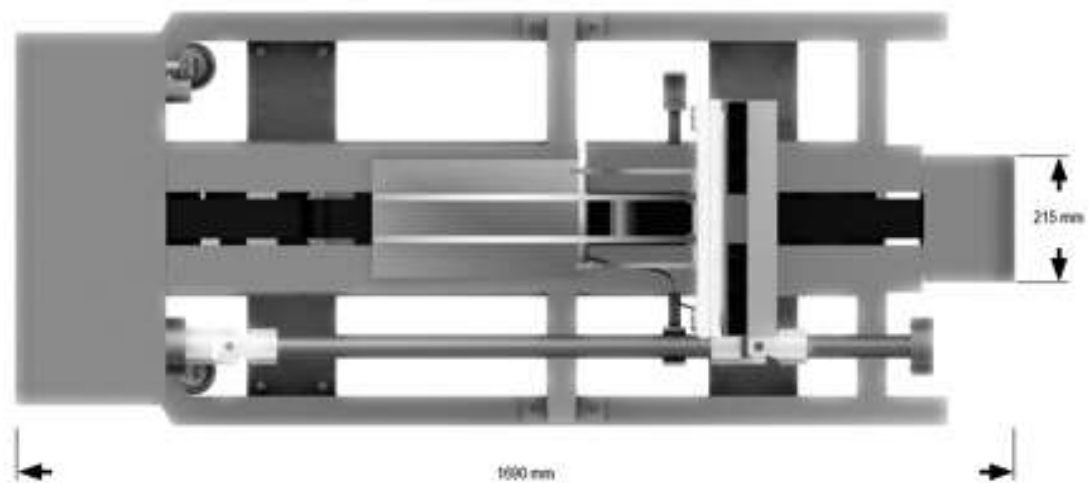


300mm continuous sled height, electronically adjustable.

Dimensions







All measurements include the EASY MOVE wheels. Please be aware that the IsoMed 2000 may need additional space and you may need additional space to maneuver the Legpress athletic.

Legpress
athletic



Legpress
athletic



In lying position



In sitting position





Adapted lepress athletic beside the module Back Flexion/Extension and the Back rotation as a full set.



Legpress athletic in Rehabilitation clinic in Dubai with national soccer player



Legpress athletic in Berlin Olympic Trainings center with athletes testing



Legpress
athletic

Legpress athletic in Rehabilitation clinic with national alpin
ski driver



Legpress athletic in Olympic – Center in Berlin with athlete hurdle runner

